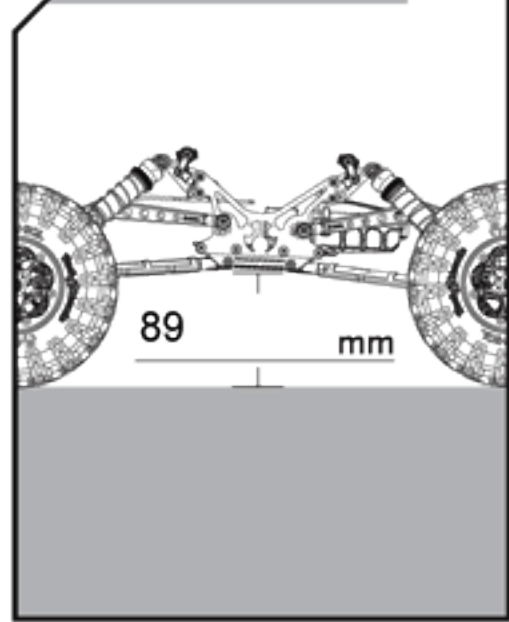


Name: Bender
 Date: 11/10/10
 Event/Location: _____

TERRAIN CONDITIONS (check all that apply)

- Slickrock Granite Sandy Wet Snow
 Volcanic River Rock Red Rock Dusty Other: _____

RIDE HEIGHT



FRONT SHOCKS

Pre-Load: 4 mm

Pistons:
 DELRIN
 TOP D, E
 E, D

Length: 101.5 mm

Springs: Black 1.04lbs/in

Oil: 30wt

REAR SHOCKS

Pre-Load: 4 mm

Pistons:
 DELRIN
 TOP D, E
 E, D

Length: 101.5 mm

Springs: Purple 1.43lbs/in

Oil: 40wt

FRONT LINKS

UPPER

Length: 128 mm

Option Part #'s: AX30454

LOWER

Length: 136 mm

Option Part #'s: AX30466

REAR LINKS

UPPER

Length: 130 mm

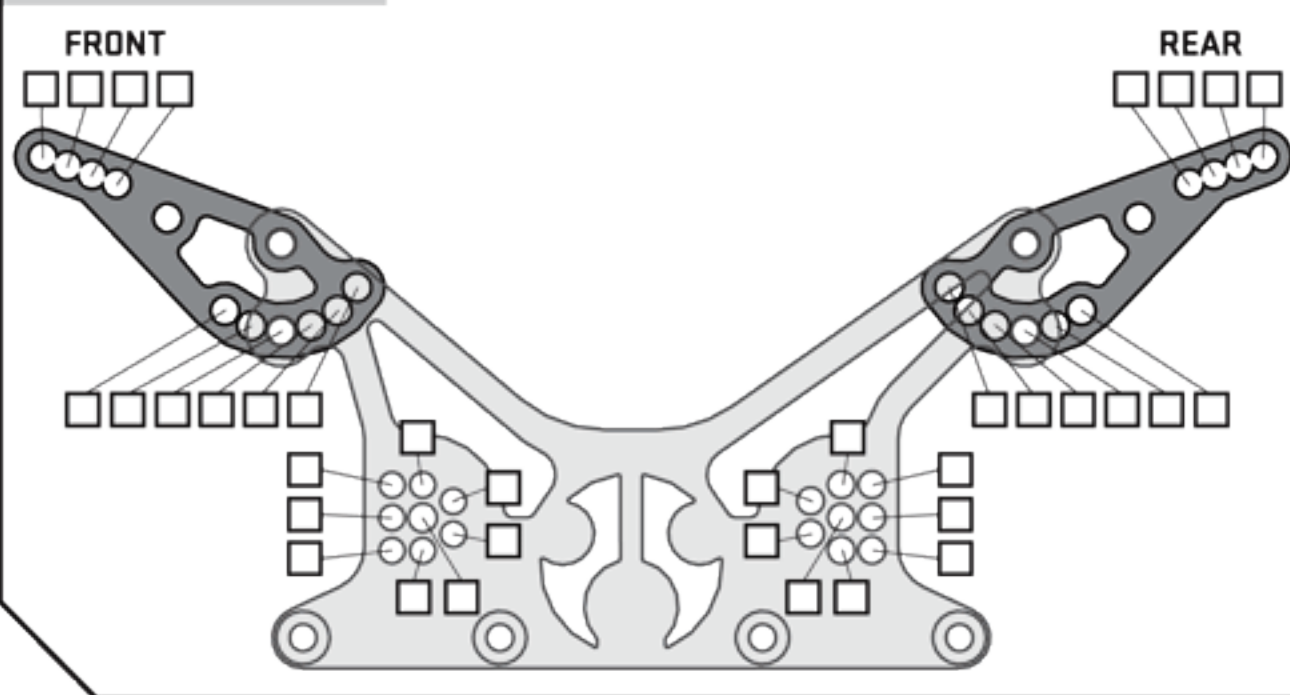
Option Part #'s: AX30454

LOWER

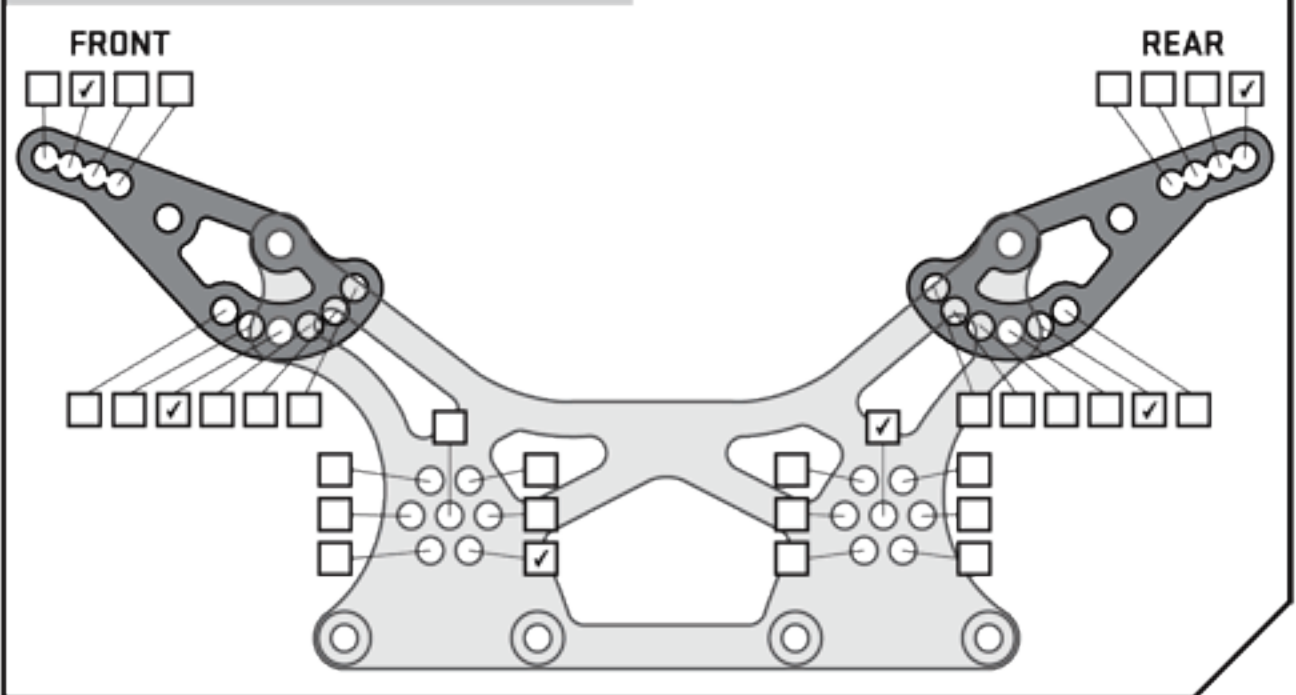
Length: 136 mm

Option Part #'s: AX30466

STOCK CHASSIS



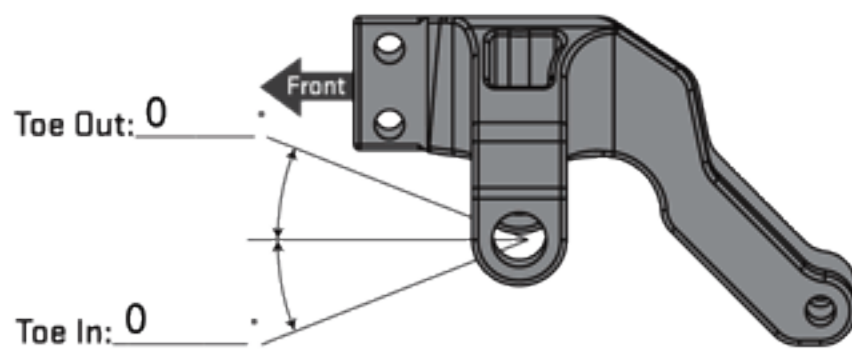
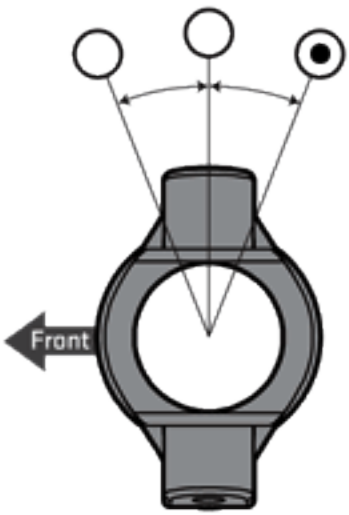
OPTION CHASSIS AX30750



FRONT / REAR AXLES

Caster (Front Only)

Steering Knuckle (Front Only)



TIRES/FOAMS/WEIGHT

Front Tire: HB Rover (white)

Front Foam: Pro-line memory

Front Weight: 17.2 oz.

Rear Tire: HB Rover (white)

Rear Foam: Pro-line dual stage

Rear Weight: 6.8 oz.

ELECTRONICS

Transmitter: Futaba 4PK

Steering Servo: Futaba BLS152

Option Servo: _____

Front Motor: Tekin 45t

Rear Motor: Tekin 45t

Battery: MaxAmps 1800 3s

ESC(s): Dual Tekin FXR's

NOTES

